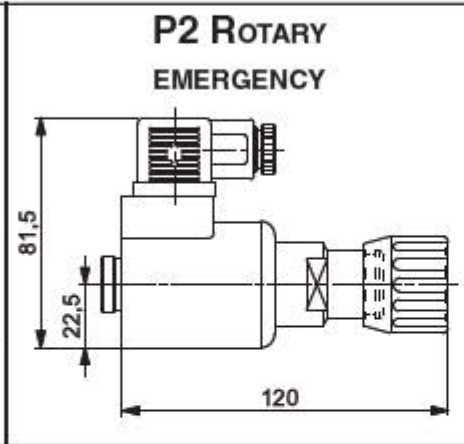
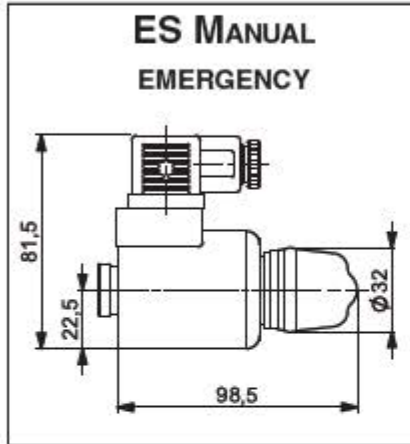




# "40W" DC COIL (FOR CDL.06...)

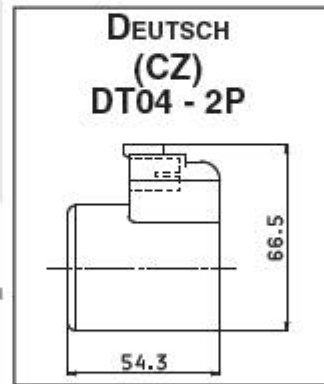
Type of protection (in relation to the connector)	IP 66
Number of cycles	18.000/h
Supply tolerance	±10%
Ambient temperature	-54°C ÷ 60°C
Duty cycle	100% ED
Insulation class wire	H
Weight	0,354 Kg

MOUNTING COMPATIBILITY	
CDL.06...	CH. I PAGE 63



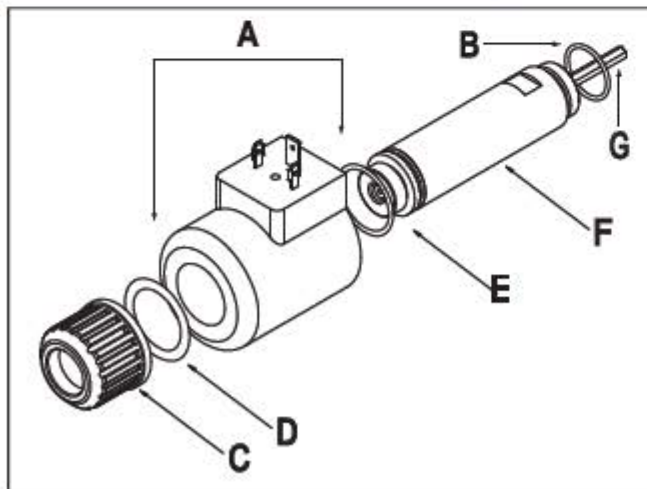
VOLTAGE (V)	MAX. WINDING TEMPERATURE (AMBIENT TEMPERATURE 25°C)	RATED POWER (W)	RESISTANCE AT 20°C (OHM) ±10%
12V	135°C	40	3.6
24V	135°C	40	14.4

ET40W - 00/2004/e



COMPLETE KIT	CDL06
P2 ROTARY EMERGENCY	V89990010
ES MANUAL EMERGENCY	M19050004

## SPARE PARTS



A = SEE 40W COIL TABLE  
 B/C/D/E/F/G = SINGLE SPARE PARTS (SEE TABLE)

40W DC COIL	CONNECTIONS
VOLTAGE	HIRSCHMANN (STANDARD)
12V (L)	M14600001
24V (M)	M14600002
	DEUTSCH (CZ)
12V (L)	M14610001
24V (M)	M14610002

CODE SPARE PARTS B / C / D / E / F / G	FOR CDL06
B O RING (TUBE)	Q25830024
C RING NUT	M37050030
D O RING (RING NUT)	Q25830185
E O RING (COIL)	Q25860033
F TUBE	M83130001
G HEX. PUSHROD	M74470003

ET40W-CODE - 00/2007/e