

Angle/Length transducers

A/S Series



Description

- Transducer for work area management
- It can be used for cranes, truck mounted cranes and aerial platforms
- Standard lenght: 8.5, 11.5 and 14.0 meters
- Special lenght on request
- Potentiometric angular and linear sensors
- Waterproof, compact aluminium body
- Easy to install
- Right or left side mounting version
- Electrical connection with «Hirschmann DIN43650 3+T» connectors, two if the transducer is doubled, according to the norm
- Provided with an ABS casing to protect the pulley

On request

- Digital version (angular electronic sensor)
- Double angular and linear sensor
- CAN bus connection
- Electrical connection with cable gland

Note: the user/installer is responsible for evaluating the values and, thus, the safety of the application

Technical data

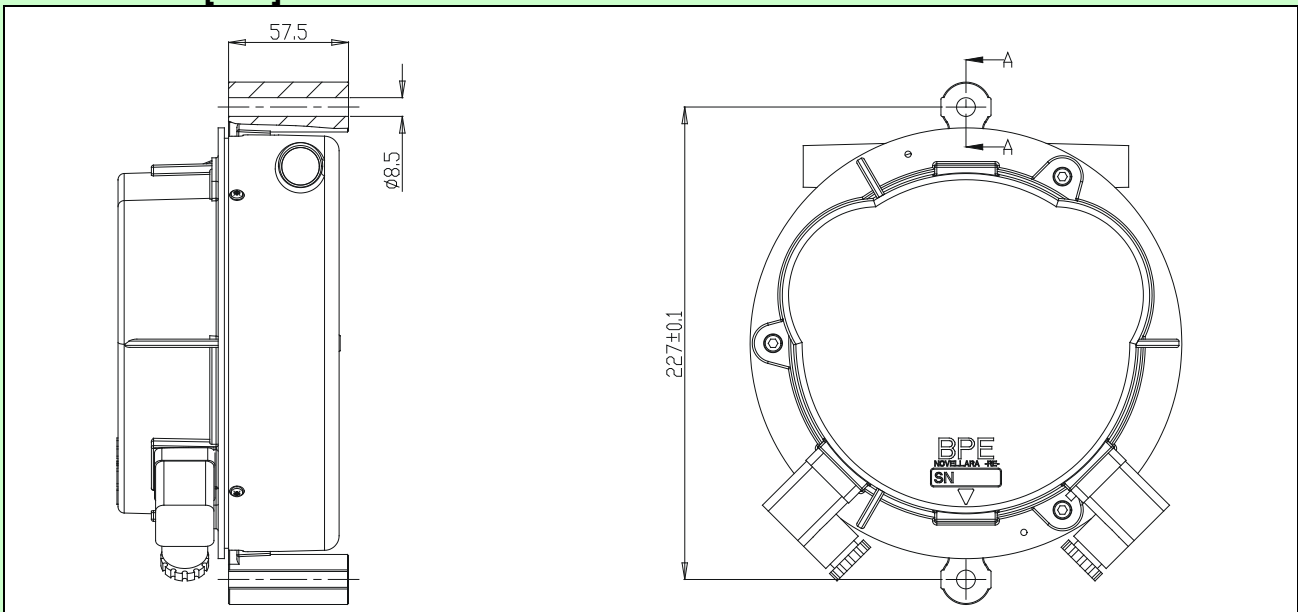
	Digital version	Analogue version
Measurable angle	± 180 degrees	± 150 degrees
Input voltage	9 to 33 Vdc	9 to 33 Vdc
Output voltage rating	0.5 to 4.5 Vdc 1.0 to 9.0 Vdc 4 to 20 mA CAN	0 to Vin
Power draw ⁽¹⁾	25 mA (single) 30 mA (double)	Potentiometer: 10 kΩ (on request: 1 kΩ)
Operating temperature	from -25 to +70 °C	from -25 to +70 °C
Standard protection grade	IP 65	IP 65
Angle sensor accuracy ⁽²⁾	± 0.5°	± 0.5% F.S.
Length sensor accuracy ⁽²⁾	± 1.0% F.S.	± 1.0% F.S.
Angle sensor resolution	0.1°	-
Length sensor resolution	0.025% F.S.	-
Angle s. temperature drift	± 0.01 degree / °C	< 100 ppm/°C
Length s. temperature drift	< 100 ppm/°C	< 100 ppm/°C
EMC conformity	EN 61000-6-2, EN61000-6-3 (Heavy industrial)	-
Weight	2.7 kg	2.7 kg
MTTFd (electronic board)	> 100 years	-
Maximum number of mechanical cycles	10 ⁵	10 ⁵ ⁽³⁾

⁽¹⁾ Device only (outputs not included)

⁽²⁾ Includes non linearity, hysteresis and repeatability

⁽³⁾ 2.5x10⁵ on request

Dimensions [mm]



It is prohibited to use this apparatus/accessory until the machine onto which it is mounted has been declared in conformity with the Machine Directive 2006/42/EEC

BPE Electronics reserves the right to modify the technical data anytime, without advise

A/S v.2.53 2013