

BDL06.6... FLOW DIVERSION VALVES



BDL06.6...

"40W" DC COILS	CH. I PAGE 69
STANDARD CONNECTORS	CH. I PAGE 19

The 6 way flow diversion valves, type BDL.06.6, are special solenoid valves which allow the simultaneous connection of two systems. With all user ports on the same side, these valves allow to simplify the layout of hydraulic plant. As they are moved from high performances solenoids they don't need the external drainage.

This valves can manage high hydraulic powers with a low pressure drop.

Max. pressure	250 bar
Max. flow	50 l/min
Overlap	negative
Hydraulic fluids	Mineral oils DIN 51524
Fluid viscosity	10 ÷ 500 mm ² /s
Fluid temperature	-25°C ÷ 75°C
Ambient temperature	-25°C ÷ 60°C
Max. contamination level	class 10 in accordance with NAS 1638 with filter $\beta_{25} \geq 75$
Weight	3 Kg

ORDERING CODE

BDL	Flow diversion valves
06	Size NG06
6	No. of way
W	Threaded connectors 3/8"BSP
I	Internal drainage
*	Voltage (Tab. 1)
**	Variants (Tab. 2)
1	Serial No.

TAB.1 - 40W COIL

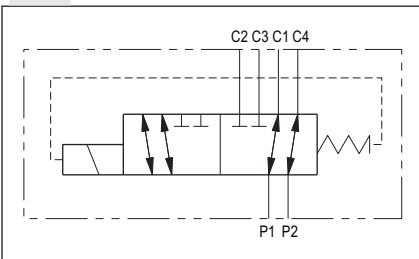
DC VOLTAGE	
L	12V
M	24V
N	48V*
W	Without DC coils
Voltage codes are not stamped on the plate, their are readable on the coils.	
* Special voltage	

TAB.2 - VARIANTS

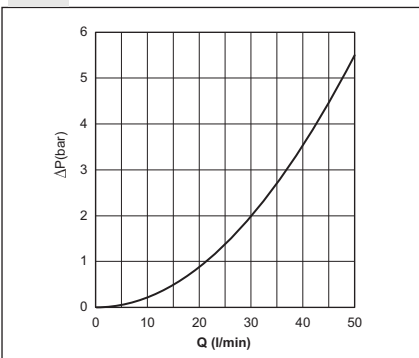
No variant (without connectors)	S1(*)
Viton	SV(*)
Emergency button	ES(*)
Rotary emergency button	P2(*)
Deutsch DT04-2P Coil type	CZ
Other variants available on request.	

(*) Coils with Hirschmann connection supplied without connectors. The connectors can be ordered separately, ch. I page 19.

HYDRAULIC SYMBOL



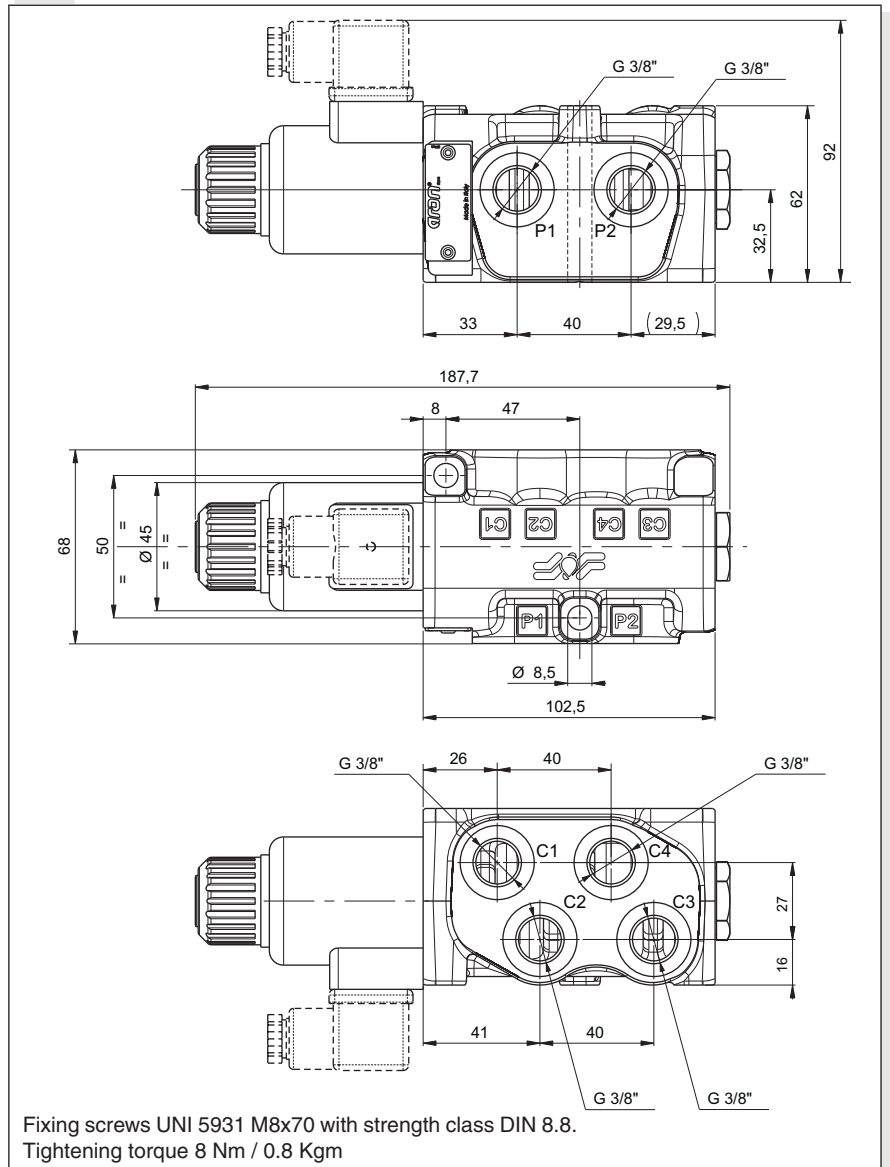
PRESSURE DROPS



P1 → C1 , P1 → C2
P2 → C4 , P2 → C3

The fluid used is a mineral oil with a viscosity of 46 mm²/s at 40°C; the tests have been carried out at a fluid temperature of 40°C.

OVERALL DIMENSIONS



Fixing screws UNI 5931 M8x70 with strength class DIN 8.8.
Tightening torque 8 Nm / 0.8 Kgm

"40W" DC COILS FOR CDL06...

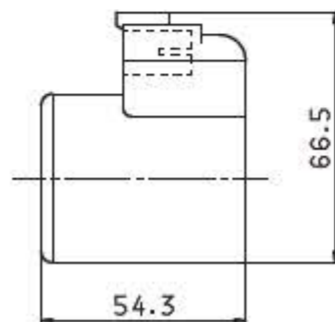


Type of protection (in relation to the connector used)	IP 66
Number of cycles	18.000/h
Supply tolerance	+10% / -10%
Ambient temperature	-54°C ÷ 60°C
Duty cycle	100% ED
Insulation class wire	H
Weight	0,354 Kg

VOLTAGE (V)	MAX. WINDING TEMPERATURE (AMBIENT TEMPERATURE 25°C)	RATED POWER (W)	RESISTANCE AT 20°C (OHM) ±10%
12V	135°C	40	3.6
24V	135°C	40	14.4

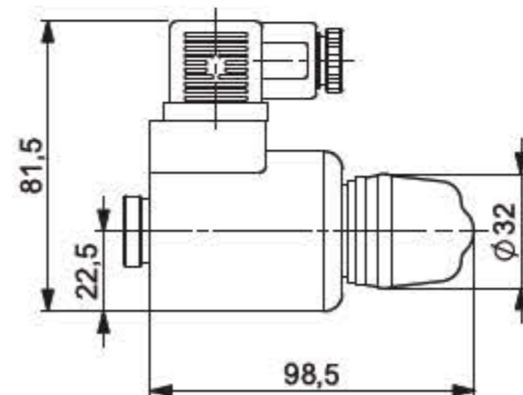
IT40W - 02/2004/e

**DEUTSCH
(CZ)
DT04 - 2P**

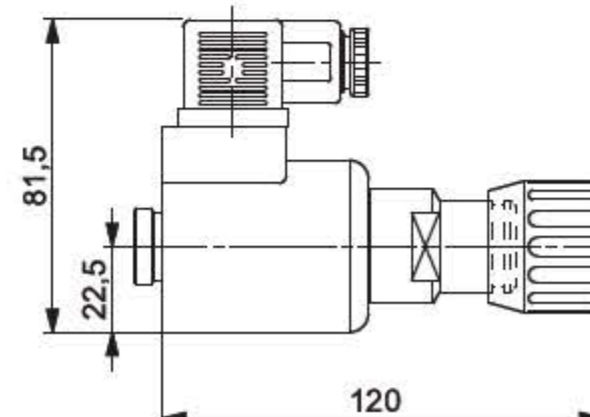


EMERGENCY (COILS WITH HIRSCHMANN CONNECTION)

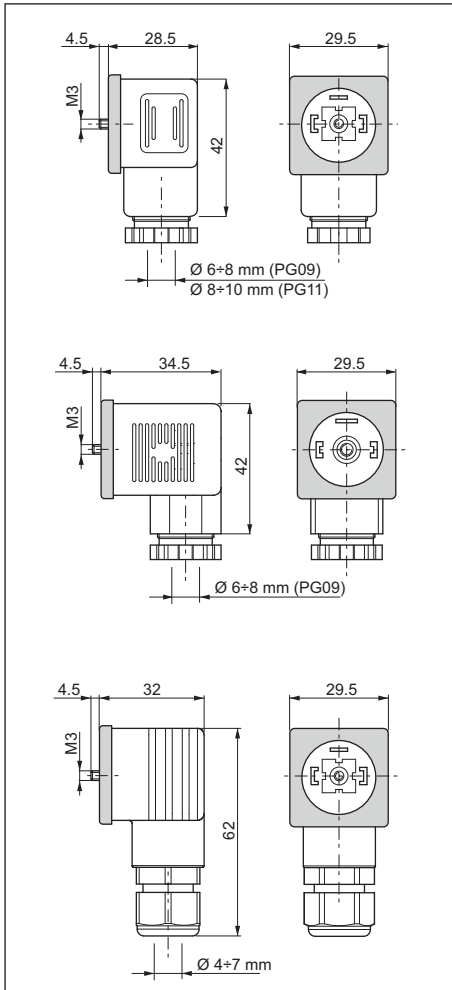
**MANUAL WITHOUT CONNECTOR (ES)
MANUAL WITH CONNETOR (E1)**



**ROTARY WITHOUT CONNECTOR (P2)
ROTARY WITH CONNETOR (P1)**



CONNECTORS DIRECTIONAL CONTROL VALVES IN ACCORDANCE WITH DIN 43650/ISO4400



Connector	Protection level	Type	Cable gland	Code
Standard	IP65	Black color	PG09	V86 05 0002
		Grey color	PG09	V86 05 0004
		Black color	PG11	V86 05 0006
		Grey color	PG11	V86 05 0008
Lens cover with pilot light (*)	IP65	12 VAC/VDC	PG09	V86 10 0018
		24 VAC/VDC	PG09	V86 10 0012
		115 VAC/VDC	PG09	V86 10 0020
		230 VAC/VDC	PG09	V86 10 0022

Screw tightening torque: 0.60 Nm

Connector	Protection level	Type	Cable gland	Code
With rectifier (*) Inlet voltage 12÷230 VAC Outlet voltage 9÷205 VDC	IP65	Black color	PG09	V86 20 0002
		Grey color	PG09	V86 20 0004
Lens cover with pilot light and rectifier (*) Inlet voltage 12÷230 VAC Outlet voltage 9÷205 VDC	IP65	12 VAC	PG09	V86 25 0018
		24 VAC	PG09	V86 25 0019
		48 VAC	PG09	V86 25 0020
		115 VAC	PG09	V86 25 0021
		230 VAC	PG09	V86 25 0022

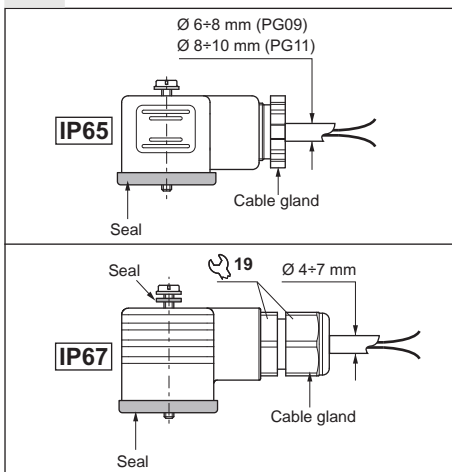
Screw tightening torque: 0.60 Nm

Connector	Protection level	Type	Cable gland	Code
With protection level IP67	IP67	Black color	—	V86 28 0001
		Grey color	—	V86 28 0002

Screw tightening torque: 0.60 Nm

(*) Don't use for proportional versions

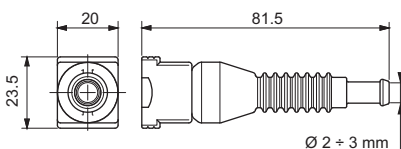
ELECTRICAL FEATURES OF CONNECTORS



Description	IP65	IP67
AC rated voltage	Max. 250 V	Max. 250 V
DC rated voltage	Max. 300 V	Max. 300 V
Pin contact nominal current	10A	10A
Pin contact max. current	16A	16A
Max. section cable	1.5 mm ²	1.5 mm ²
Cable gland PG09 - M16x1,5	Ø cable 6 ÷ 8 mm	Ø cable 4 ÷ 7 mm
Cable gland PG11 - G 1/2" - M20x1,5	Ø cable 8 ÷ 10 mm	—
Protection level	IP65 EN60529	IP67 EN60529
Insulation class	VDE 0110-1/89	VDE 0110-1/89
Operating temperature	-40°C ÷ 90°C	-20°C ÷ 80°C

The degrees of protection indicate is guaranteed only if the connectors were properly mounted with his original seals.

AMP JUNIOR CONNECTORS



Connector	Type	Cable section	Pin contact max current	Code
AMP Junior connector Timer 2 contact	Black color	0,5 ÷ 1,5 mm ²	10A	RKRC0808000