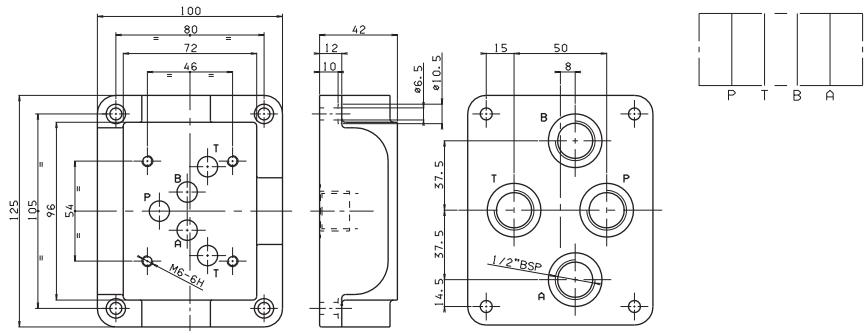


BS.5.12 (REAR CONNECTORS)

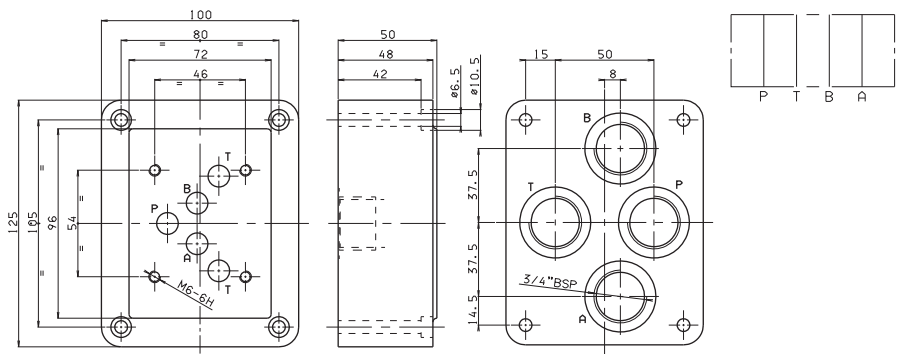
- BS** Single subplate
- 5** CETOP 5/NG10
- 12** 1/2" BSP rear connectors
- 00** No variant
- 1** Serial No.



Weight: 2,7 Kg - Fixing screws M6x25 UNI 5931

BS.5.13 (REAR CONNECTORS)

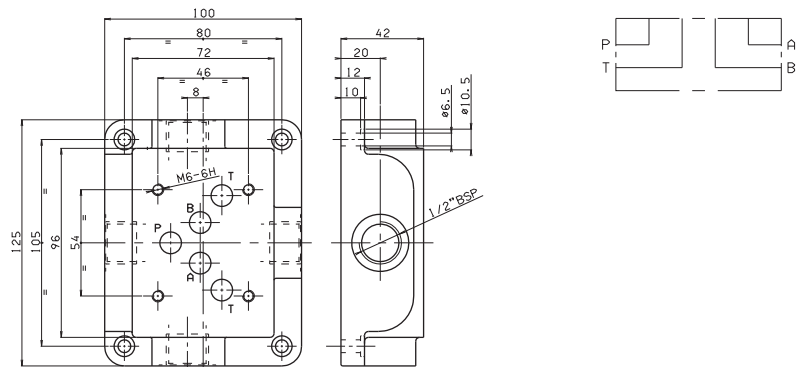
- BS** Single subplate
- 5** CETOP 5/NG10
- 13** 3/4" BSP rear connectors
- 00** No variant
- 1** Serial No.



Weight: 3,8 Kg - Fixing screws M6x50 UNI 5931

BS.5.14 (SIDE CONNECTORS)

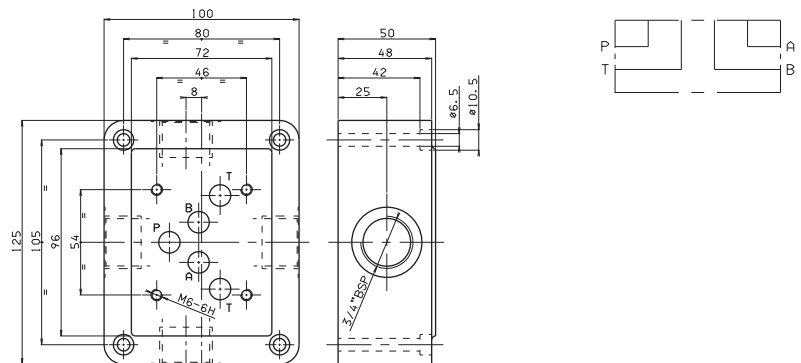
- BS** Single subplate
- 5** CETOP 5/NG10
- 14** 1/2" BSP side connectors
- 00** No variant
- 1** Serial No.



Weight: 2,6 Kg - Fixing screws M6x20 UNI 5931

BS.5.15 (SIDE CONNECTORS)

- BS** Single subplate
- 5** CETOP 5/NG10
- 15** 3/4" BSP side connectors
- 00** No variant
- 1** Serial No.



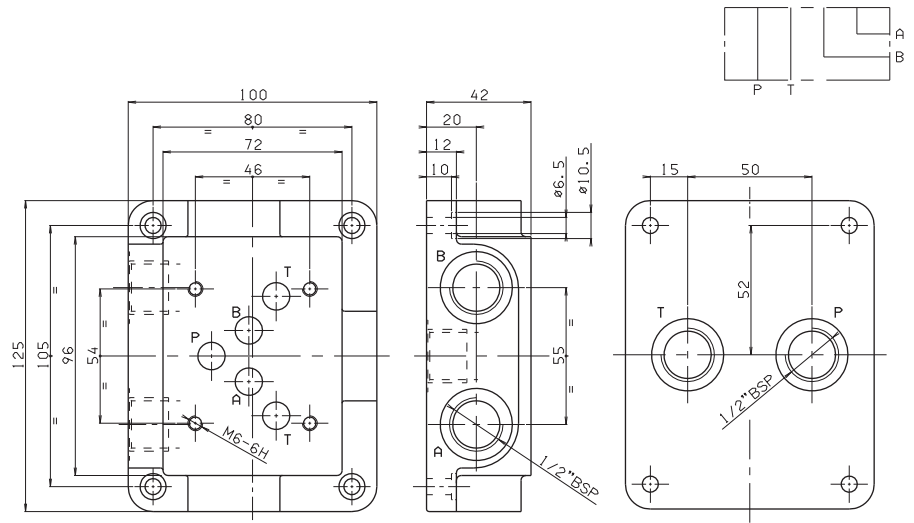
Weight: 3,8 Kg - Fixing screws M6x50 UNI 5931

7

BS.5.16 (CONNECTORS SIDE A AND B, REAR P AND T)

- BS** Single subplate
- 5** CETOP 5/NG10
- 16** 1/2" BSP rear and side connectors
- 00** No variant
- 1** Serial No.

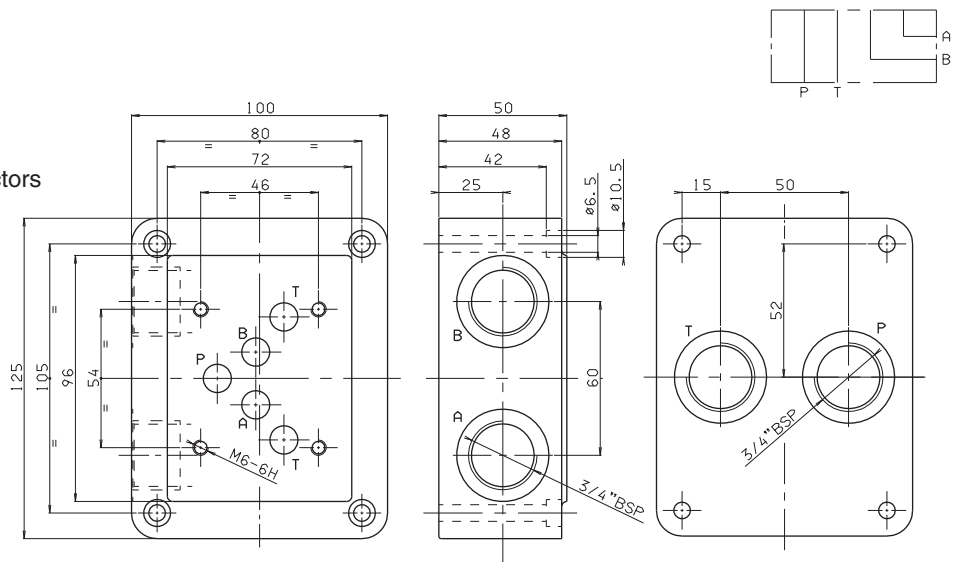
Weight: 2,6 Kg
 Fixing screws M6x20 UNI 5931



BS.5.17 (CONNECTORS SIDE A AND B, REAR P AND T)

- BS** Single subplate
- 5** CETOP 5/NG10
- 17** 3/4" BSP rear and side connectors
- 00** No variant
- 1** Serial No.

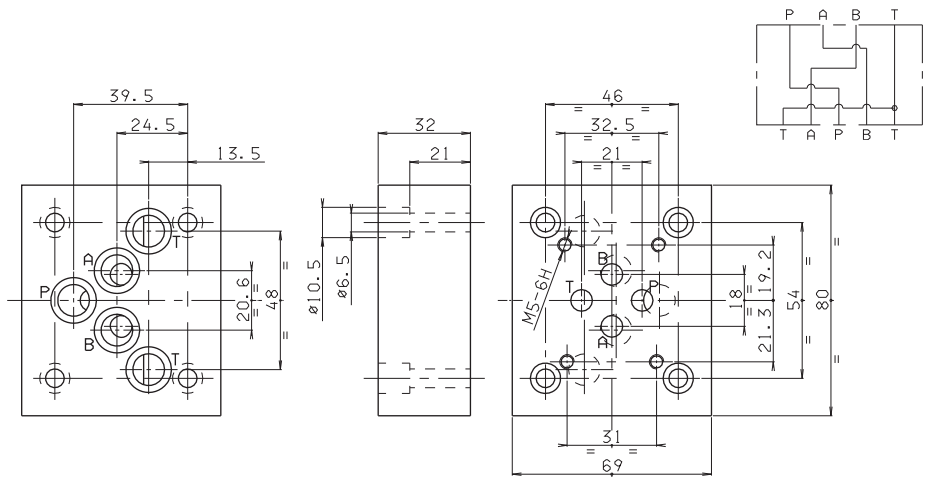
Weight: 3,9 Kg
 Fixing screws M6x50 UNI 5931



BS.5.3 (REDUCTION PLATE FROM CETOP 5/NG10 TO CETOP 3/NG6)

- BS** Single subplate
- 5** CETOP 5/NG10
- 3** CETOP 3/NG6
- 00** No variant
- 1** Serial No.

Weight: 1,1 Kg
 Fixing screws M6x30 UNI 5931



7