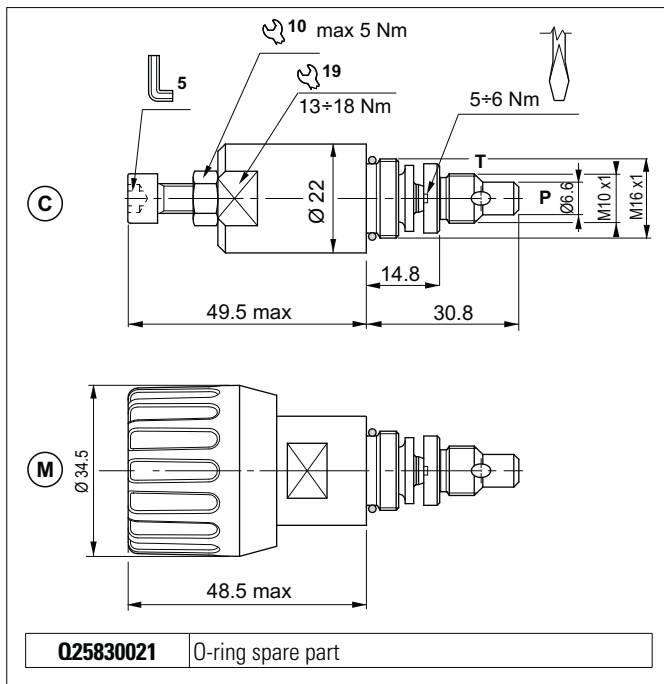


DIRECT ACTING PRESSURE RELIEF VALVES

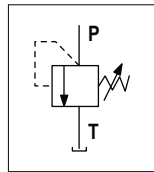


The direct acting relief valve limits the pressure in a hydraulic circuit. It raises the safety level by making it impossible for the plant operators to set a higher pressure rating, than that specified in the catalogue. This is limited by a pack spring with a mechanical stop (only standard screw and nut), which prevents temporary P closures caused by pressure peaks. It has a galvanised steel body. The guided ball poppet is in tempered and ground steel.

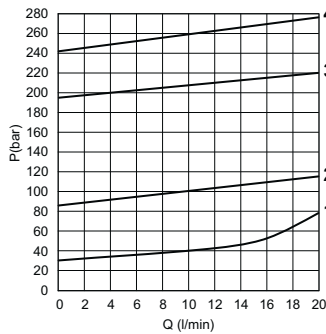
HYDRAULIC FEATURES

Max. opening pressure	250 bar
Setting range:	
Spring 1 (white)	max 30 bar
Spring 2 (yellow)	max 90 bar
Spring 3 (green)	max 180 bar
Spring 4 (orange)	max 250 bar
Max. Flow	20 l/min
Hydraulic fluid	DIN 51524 Mineral oils
Fluid viscosity	10 ÷ 500 mm ² /s
Fluid temperature	-25°C ÷ 75°C
Ambient temperature	-25°C ÷ 60°C
Max. contamin. level class with filter	ISO 4406:1999 - class 19/17/14
Weight	0.1 kg
Tightening torque	see draw
Cavity (M16x1)	CN036001 (See section 15)

HYDRAULIC SYMBOL

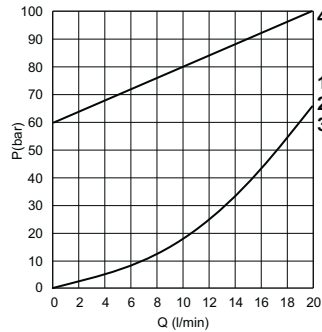


PRESSURE-FLOW RATE



1 = CMP02C1.. - 2 = CMP02C2.. - 3 = CMP02C3.. - 4 = CMP02C4..
Fluid used: mineral based oil with viscosity 46 mm²/s at 40°C.

MIN.SETTING PRESSURE



The minimum permissible setting pressure depending on the spring: see curves below

ORDERING CODE

