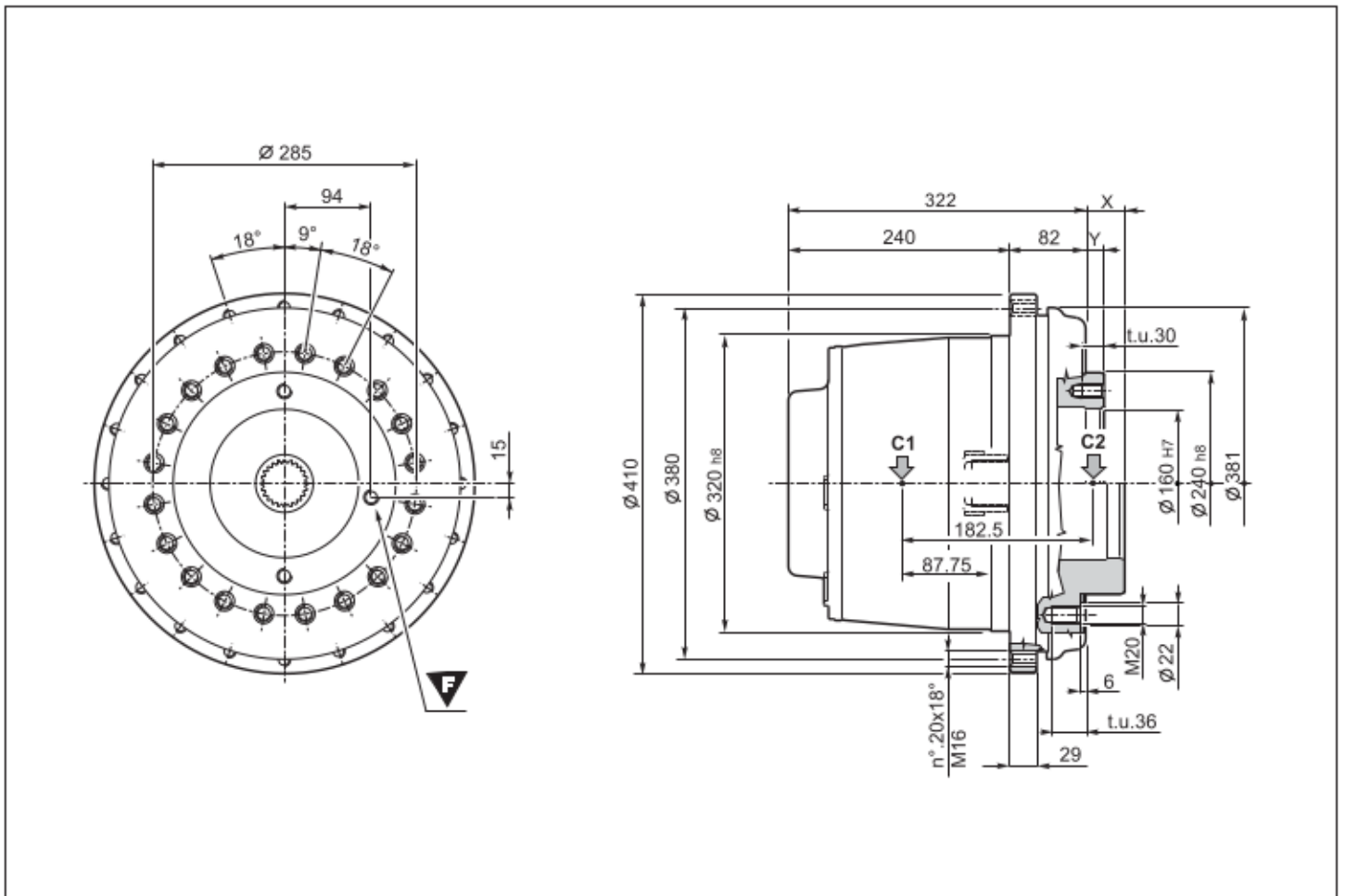


CTU3200.1



Dati tecnici / Specifications / Technische Daten
Caractéristiques techniques / Datos técnicos / Características técnicas

Tipo / Type / Typ / Type / Tipo / Tipo	T _{2 max.} [Nm]	n _{1 max.} [rpm]	C1 = C2 [kN]	i = (* non disinseribile / no disengage / nicht ausschaltbar / non débrabotables / sin embrague / não desengatáveis)			
CTU3200.1	25.000	3500	204	67,1° - 73,4° - 81,5° - 92,3° - 107,5° - 130,3°	M14 x 1,5	140	3

Freno Lamellare / Multidisc Brake / Lamellenbremse / Frein à lamelles / Freno de láminas / Freio lamelar

Pa BP [bar]	Pmax BP [bar]	Pa AP [bar]	Pmax AP [bar]	Tf max [Nm]
10	50	18	300	350 + 280

Type	Connection	X	Y	Type	Connection	X	Y
Samhydraulik H1CR45	64600001730	-	20	Hydromatik A6VE55 - Z	64600001730	-	20
Samhydraulik H1CR55	64600001730	-	20	Volvo F12 - 40	64600001730	-	20
Samhydraulik H1CR75	64600003260	-	20	Volvo F12 - 60	64600001730	-	20
Hydromatik A2FE45 - Z	64600001730	-	20	Samhydr. HR 12/24 Z = 14	64620504020	30	-
Hydromatik A2FE56 - A AD	64600003260	-	20	Danfoss OMS 12/24 Z = 14 AD	64620504020	30	-
Hydromatik A2FE56 - Z	64600001730	-	20				
Hydromatik A2FE63 - A	64600003260	-	20				
Hydromatik A2FE63 - Z	64600001730	-	20				
Hydromatik A6VE55 - A	64600003260	-	20				