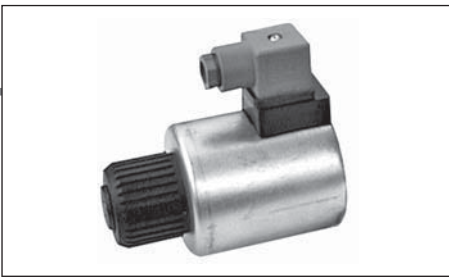


"D19" DC SOLENOIDS



Type of protection (in relation to the connector used)	IP 66
Number of cycle	18.000/h
Supply tolerance	±10%
Ambient temperature	-54°C ÷ 60°C
Duty cycle	100% ED
Max static pressure	210 bar
Insulation class wire	H
Weight	1,63 Kg

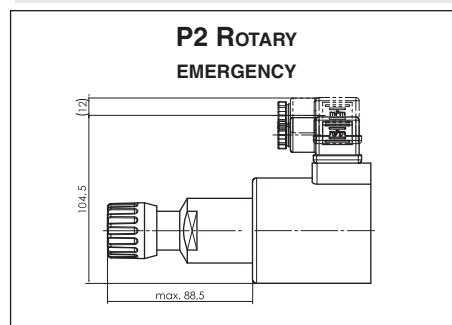
MOUNTING COMPATIBILITY

ADP.5.E...	CH. I PAGE 36
ADP.5.V...	CH. I PAGE 39

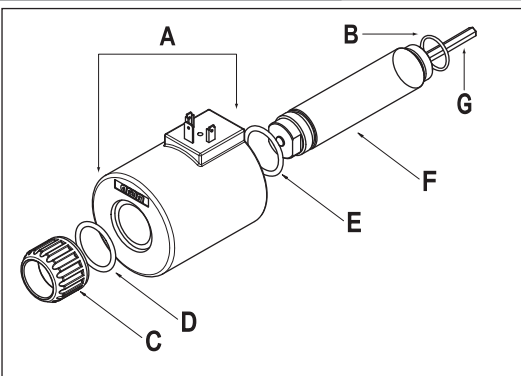
VOLTAGE (V)	MAX WINDING TEMPERATURE (AMBIENT TEMPERATURE 25°C)	RATED POWER (W)	RESISTANCE AT 20°C (OHM) ±10%
12V	105°C	42	3.43
24V	105°C	42	13.71
48V*	105°C	42	55
102V*(**)	105°C	42	248
110V*(**)	105°C	42	288
205V*(**)	105°C	42	1000

* Special voltage

** The european low voltage directive is applied to electronic equipments used at a nominal voltages between 50 and 1000 VAC or 75 and 1500 VDC. In conformity with the low directive each part of the manifold or the subplate on which the valve is mounted should be connected to a protective earth with a resistance less than 0.1 ohms.



SPARE PARTS



A = SEE D19 COIL TABLE
B/C/D/E/F/G = SINGLE SPARE PARTS (SEE CODES TABLE)

D19 DC/42W COIL	CONNECTION
VOLTAGE	HIRSCHMANN (STANDARD)
12V (L)	M14270001
24V (M)	M14270002
48V* (N)	M14270003
102V* (Z)	M14270007
110V* (P)	M14270005
205V* (X)	M14270008
(*)SPECIAL VOLTAGES ETD19-CODE - 00/2007/e	

COMPLETE KIT	ADP5E	ADP5V
P2 ROTARY EMERGENCY	V89990012	

CODE SPARE PARTS B / C / D / E / F / G	FOR ADP5E AND ADP5V
B O RING (TUBE)	Q25830101
C RING NUT	M37050022
D O RING (RING NUT)	Q25830035
E O RING (COIL)	Q25860035
F TUBE	M83170002
G HEX. PUSHROD	M74380002

12