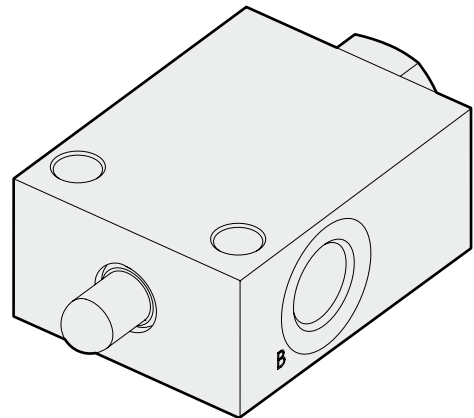
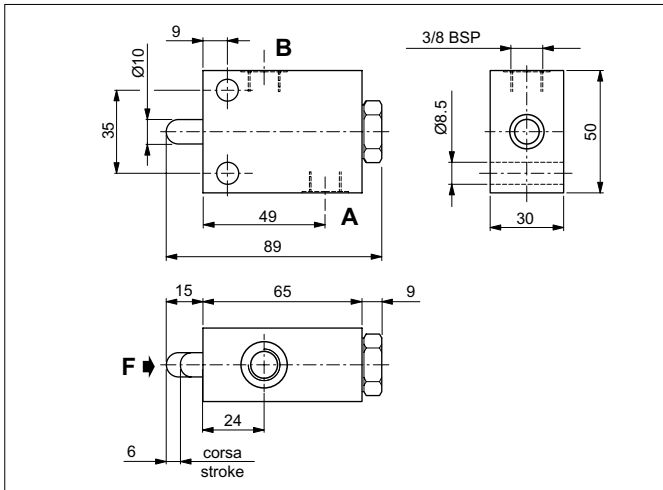


## END-OFF STROKE VALVES



## END-OFF STROKE VALVES - IN-LINE MOUNTING

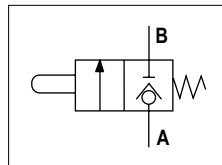


The direct acting normally closed 2-way 2-position directional valve with manual control is fitted on a branch to release the pressure; a pusher enables the fluid to pass through the valve from A to B. Tapered poppet is in tempered and ground steel. The valve body is in galvanised steel.

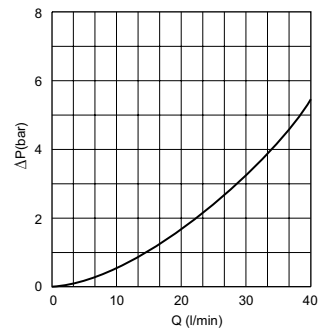
### HYDRAULIC FEATURES

Max. opening pressure	300 bar
Max. Flow	40 l/min
Max. Leakage (0 ÷ 5 drops/min)	0 ÷ 0.25 cm <sup>3</sup> /min
Max. mechanical push force (F) required at 300 bar	240 daN
Hydraulic fluid	DIN 51524 Mineral oils
Fluid viscosity	10 ÷ 500 mm <sup>2</sup> /s
Fluid temperature	-25°C ÷ 75°C
Ambient temperature	-25°C ÷ 60°C
Max. contamin. level class with filter	ISO 4406:1999 - class 19/17/14
Weight	0.68 kg

### HYDRAULIC SYMBOL

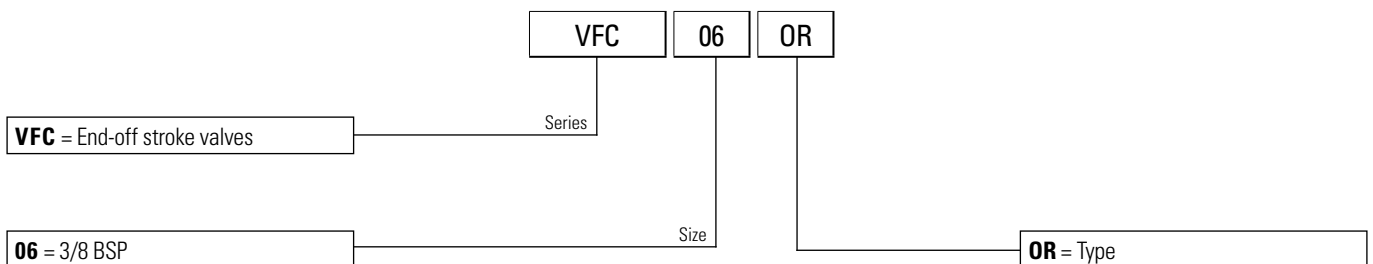


### PRESSURE DROPS

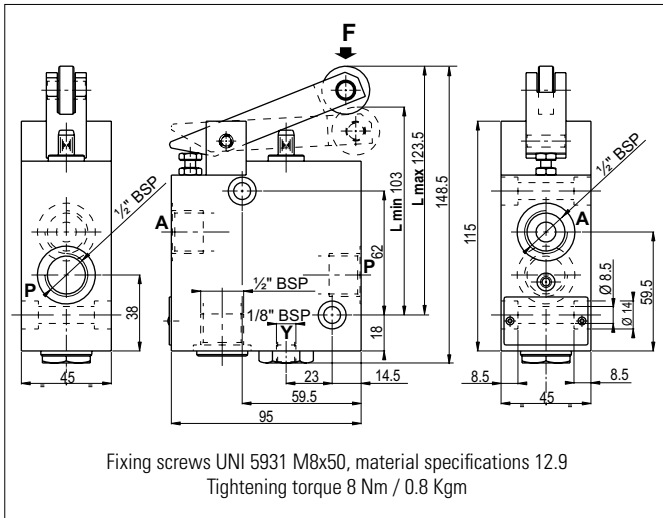


Fluid used: mineral based oil with viscosity 15 mm<sup>2</sup>/s at 40°C.

### ORDERING CODE



## DECELERATION VALVES - IN-LINE MOUNTING

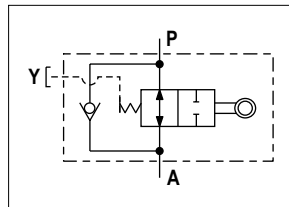


These valves are used as cam controlled unidirectional flow regulators. Normally mounted in line between actuator and directional valve for the displacement of carriages or slides, they enable cam controlled acceleration or deceleration of the moving mass. A special internal check valve allows free flow the opposite direction. To ensure correct functioning, connect "Y" to draining line.

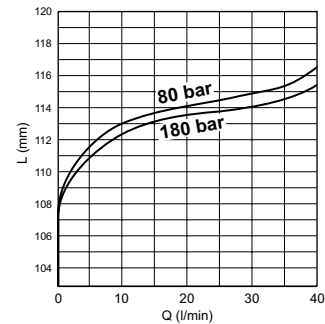
### HYDRAULIC FEATURES

Max. opening pressure	180 bar
Max. Flow	40 l/min
Max. Leakage	0.06 l/min
Cam travel	See diagram
Max. mechanical push force (F)	100 N
Hydraulic fluid	DIN 51524 Mineral oils
Fluid viscosity	10 ÷ 500 mm <sup>2</sup> /s
Fluid temperature	-25°C ÷ 75°C
Ambient temperature	-25°C ÷ 60°C
Max. contamin. level class with filter	ISO 4406:1999 - class 19/17/14
Weight	2.8 kg

### HYDRAULIC SYMBOL



### FLOW RATE / Lmin-Lmax



### ORDERING CODE

