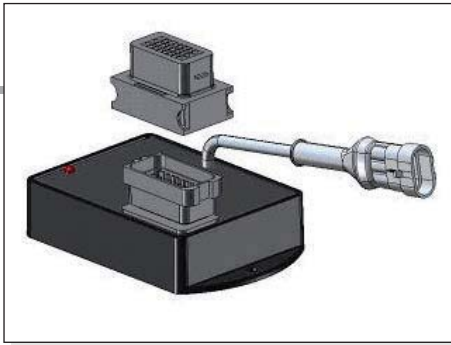


MAV1152 ELECTRONIC MODULE FOR INTEGRATED CONTROL OF ONE PROPORTIONAL AND ON/OFF DIRECTIONAL VALVES



The MAV1152 controller unit is used for the control of one proportional solenoids and additional switching valves. The proportional solenoid output is pulse-width-modulated (PWM) and optimally adapted for electric proportional control of Brevini Fluid Power products. The switched outputs are designed for the direct switching of on/off solenoids, relays, and lamps. The MAV unit can managed up to 5 analog input signal and 1 PWM current output + 5x2 switched outputs (max load 9Amperes).

The RS232 serial interface and BPE software tool enables the connection of PC for service functions, such as diagnostics, parameter setting or display of process variables.

European norms: EN 61000-6-2, EN61000-6-3, ElectroMagnetic Compatibility (EMC) - industrial environment

MAV1152

LAYOUT	CH. IX PAGE 20
ELECTRICAL CONNECTIONS	CH. IX PAGE 20
OVERALL DIMENSIONS	CH. IX PAGE 20
MOUNTING EXAMPLE	CH. IX PAGE 21

Optional (on request):

- CANbus port communication;
- on/off output for venting valve on CAT 3 safety

Adjustment parameters by RS232 link :

- Frequency PWM
- Offset current
- Gain current
- Ramp up time current
- Ramp down time current
- Analog input configuration (voltage 0.5 ÷ 4.5V, 1 ÷ 9V, current 4 ÷ 20mA).

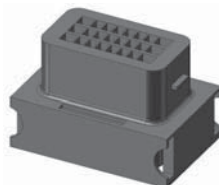
ORDERING CODE

Code	Description
7.365.1162	MAV1152 electronic module for integrated control of one proportional and on/off directional valves
www.bpe.it	BPE Terminal software downloaded from www.bpe.it website

SPECIFICATIONS:

Nominal voltage		12V and 24V
Operating supply voltage		9 ÷ 33Vdc
Current consumption	With load, max	9A
Protection Fuse	Only external	Rapid fuse 10A
Constant voltage source	For joystick supply	5V
Analog input Selectable by serial link	Voltage	0.5 ÷ 4.5V
	Voltage	1 ÷ 9V
	Current	4 ÷ 20mA
Switch input	High or low active	Low < 1.5V; high > 6V
Proportional PWM output		0 ÷ 2A
PWM frequency range		70Hz ÷ 250Hz
On/off output (mosfet)		3A
Led indicator		Green/red/yellow
Interfaces		RS232
Number of analog input		5
Number of switch input		2 (standard)
Number of PWM output		1
Number on/off output	For directional valve	10
	For venting valve	1
Protection against short circuit	Input and output	Yes
Reverse connect protection	Power supply	Yes
Operating temperature		-40 ÷ 70°C
IP protection	With mounted mating connector	IP67
Mating connector	FCI - SICMA	24 pole

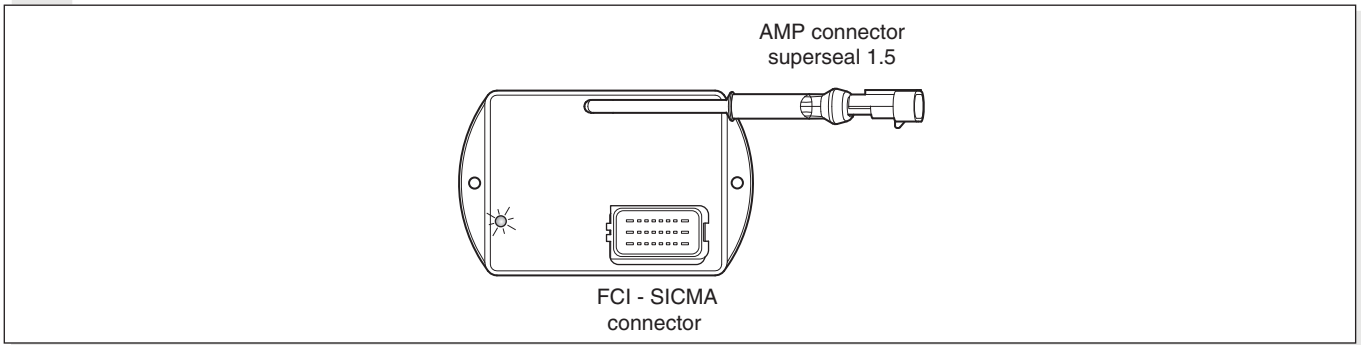
MAV product must be used with joysticks JCFD1GG1 output signal 10-90% or similar.



Plug-in connector 24 poles FCI - SICMA (to be ordered separately)

Code	Description
7.003.054	Connector
7.180.403	Connector with 1 mt. cable length

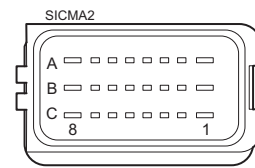
LAYOUT



ELECTRICAL CONNECTIONS

Contacts description: Mating Connector FCI - SICMA

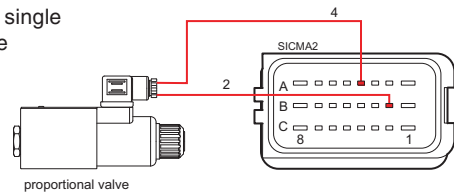
PIN	8	7	6	5	4	3	2	1
A	O1A	Venting OUT	O2A	O3B	PWM return	O5B	O5A	+ Supply
B	O2B	0V	+5V output	AN2	AN1	IN3	PWM out	O1B
C	O3A	AN5	AN4	O4A	O4B	AN3	IN4	- Supply



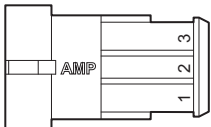
AN = analog input,
IN = digital input,
O1A ... O(5)A = on/off output for valve 1 ... (5) coil A
O1B ... O(5)B = on/off output for valve 1 ... (5) coil B

Connection example:

Proportional single solenoid valve

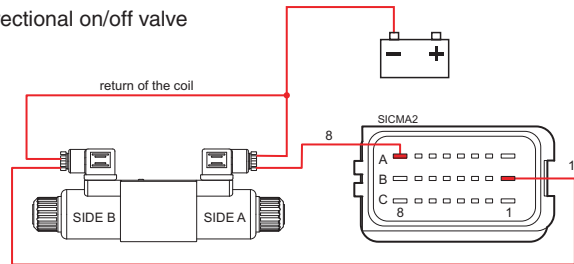


Serial Link RS232 connector : AMP superseal 1.5

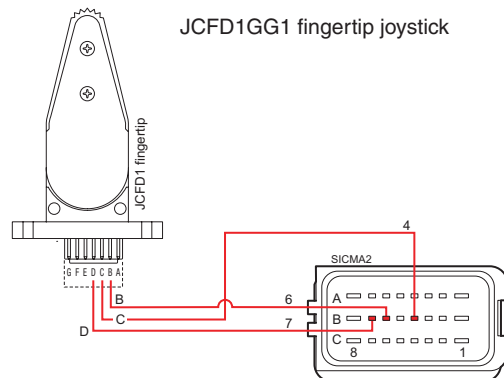


PIN 1	PIN 2	PIN 3
GND	RX	TX

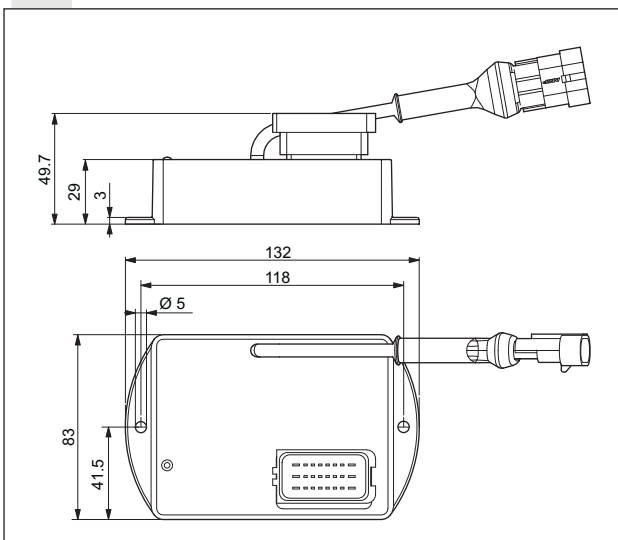
Directional on/off valve



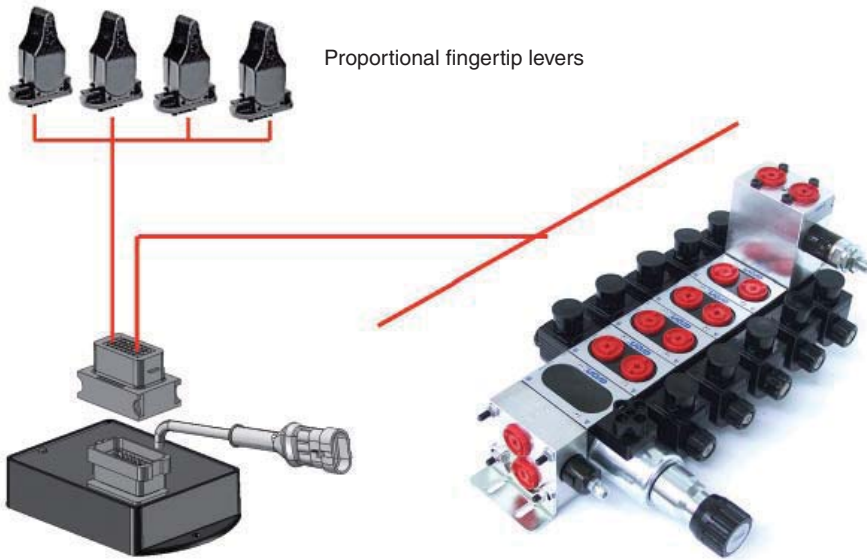
JCFD1GG1 fingertip joystick



OVERALL DIMENSIONS

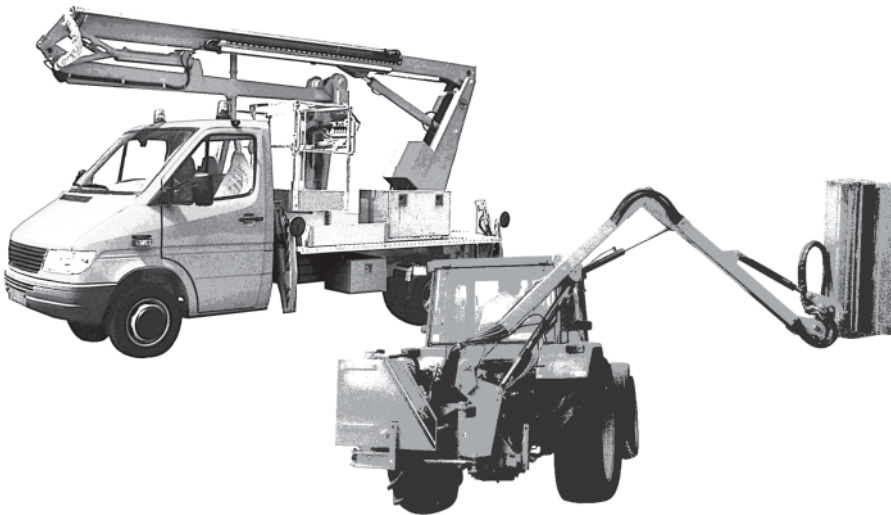


MOUNTING EXAMPLE WITH BFP PRODUCTS

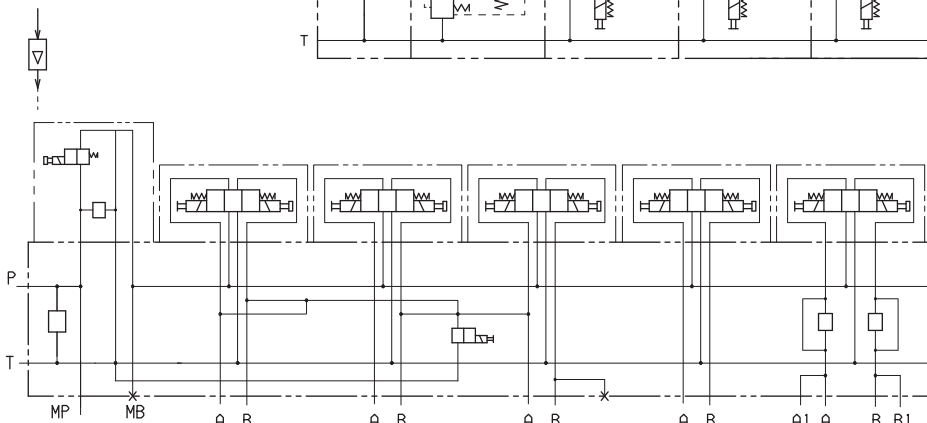
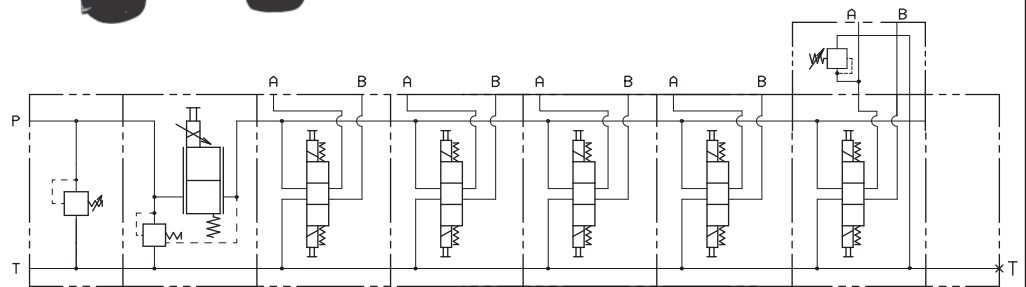


Proportional fingertip levers

NOTE: MAV product must be used with joysticks JCFD1GG1 output signal 10-90% or similar.



VERSION WITH STACKABLE VALVES



VERSION WITH CETOP 3 OR CETOP 5 VALVES