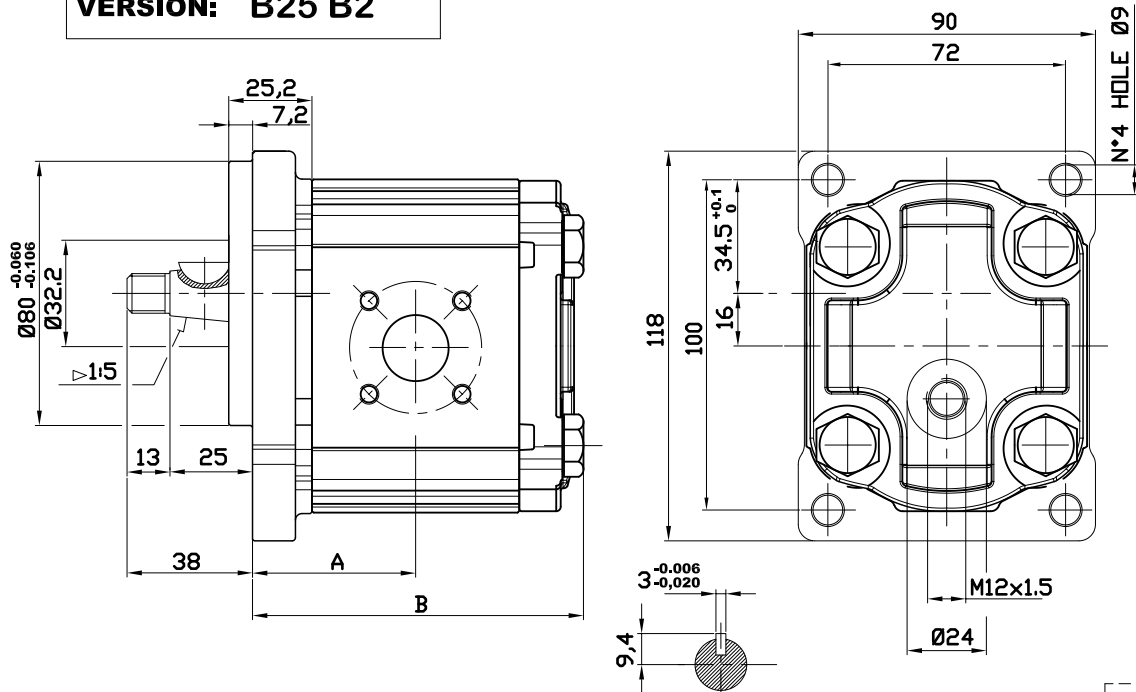
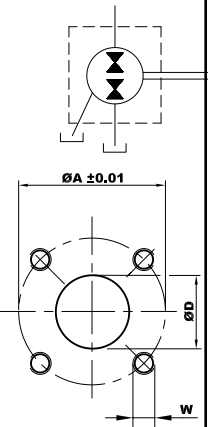


GROUP2 REVERSIBLE MOTORS - GERMAN STANDARD

VERSION: B25 B2



Type	Displacement (cc/rev)	Max working pressure P1 (bar)	Peak pressure P3 (bar)	Max speed (r.p.m)	Dimension		Inlet port			Outlet port		
					A	B	ØD	ØA	W	ØD	ØA	W
OT 200 P04	04,10	210	240	4000	42,00	85,50	15	35	M6	15	35	M6
OT 200 P06	06,20	220	255	3500	43,50	88,50	15	35	M6	15	35	M6
OT 200 P08	08,20	220	255	3500	45,00	91,50	15	35	M6	15	35	M6
OT 200 P11	11,20	220	255	3500	47,15	95,80	15	35	M6	15	35	M6
OT 200 P14	14,00	220	255	3000	49,15	99,80	15	35	M6	15	35	M6
OT 200 P16	16,00	220	255	3000	50,60	102,7	20	40	M6	20	40	M6
OT 200 P20	20,00	200	240	3000	53,50	108,5	20	40	M6	20	40	M6
OT 200 P22	22,50	170	210	2500	59,35	120,2	20	40	M6	20	40	M6
OT 200 P25	25,10	170	180	2500	61,25	124,0	20	40	M6	20	40	M6
OT 200 P28	28,00	140	180	2500	63,35	128,2	20	40	M6	20	40	M6
OT 200 P30	30,00	130	170	2000	64,75	131,0	20	40	M6	20	40	M6



EXAMPLE OF ORDERING CODE

OT200 M 08 R / B 25 B2

Series

Motor

Displacement (see above table)

Rotation

R

Reversible

German standard flange

Taper shaft (1:5)

Body for German flanges

Consult our technical department.