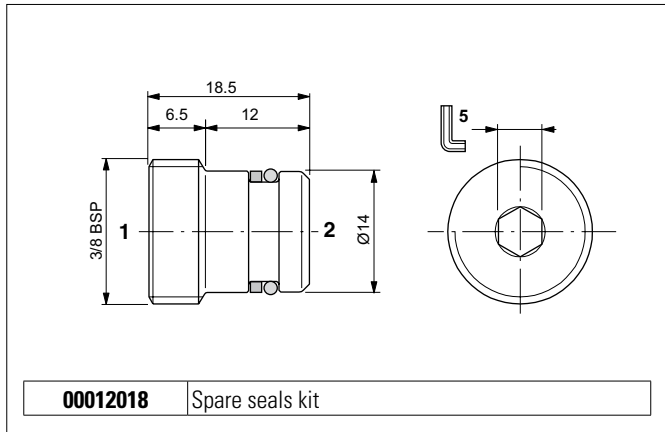


ONE-WAY CHECK VALVES

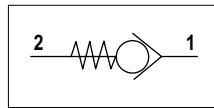


The unidirectional check valve allows oil to flow in only one direction. The guided ball seal is made of tempered and ground steel. The spring allows the valve to be mounted in any position. Steel body.

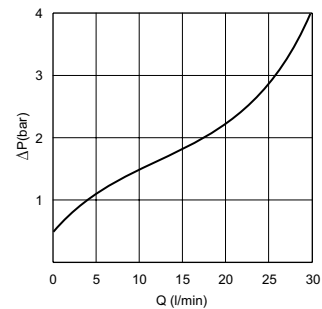
HYDRAULIC FEATURES

| | |
|--|--------------------------------|
| Max. opening pressure | 300 bar |
| Max. Flow | 30 l/min |
| Max. Leakage (0 ÷ 5 drops/min) | 0 ÷ 0.25 cm ³ /min |
| Hydraulic fluid | DIN 51524 Mineral oils |
| Fluid viscosity | 10 ÷ 500 mm ² /s |
| Fluid temperature | -25°C ÷ 75°C |
| Ambient temperature | -25°C ÷ 60°C |
| Max. contamin. level class with filter | ISO 4406:1999 - class 19/17/14 |
| Weight | 0.09 kg |
| Tightening torque | 16 ÷ 18 Nm |
| Cavity (3/8 BSP) | CG03004 (See section 15) |

HYDRAULIC SYMBOL



PRESSURE DROPS



Fluid used: mineral based oil with viscosity 32 mm²/s at 40°C.

ORDERING CODE

