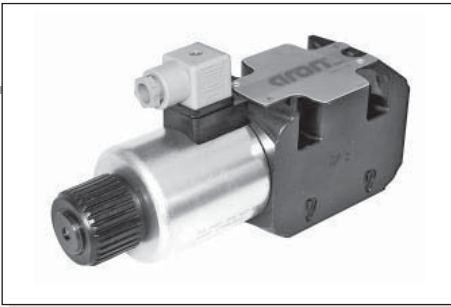


# XQP.5. OPEN LOOP 2/3 WAY PROPORTIONAL

## PRESSURE COMPENSATED FLOW REGULATORS CETOP 5



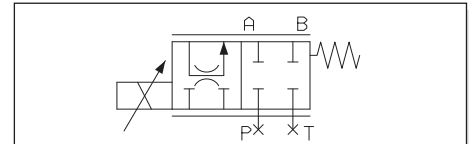
XQP.5...

STANDARD CONNECTORS	CH. I PAGE 19
"D19P" PROPORT. SOLENOIDS	CH. VIII PAGE 23
REM.S.RA...	CH. IX PAGE 4

The open loop proportional flow regulator is 2 and 3 way compensated with priority function. It is designed to regulate flow in proportion to an applied electrical current (REM power amplifier). Flow regulation is load independent - B port. Load compensation is achieved by a spool compensator which holds the pressure drop constant across the proportional spool.

Valves are available in the following versions (see hydraulic symbol):

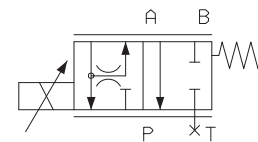
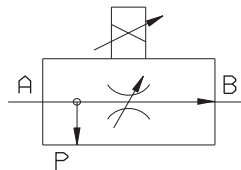
- 2 way pressure compensated
- 3 way pressure compensated with priority function.
- 3 way pressure compensated with priority and venting function.



• In order to obtain the 2 way pressure compensated version the cavities P and T have be closed on the subplate.

### SYMBOLS HYDRAULIC

#### SIMPLIFIED TYPE



• In order to obtain the 3 way pressure compensated version the cavities T have be closed on the subplate.

### ORDERING CODE

**XQP**

Open loop 2/3 way proportional compensated flow regulator

**5**

CETOP 5/NG10

**C**

2/3 way compensation with priority function

**3**

3 way version (standard)  
For to obtain 2-way version the P line must be closed on the subplate

**\***

Nominal flow rates  
E = 45 l/min  
F = 75 l/min  
G = 105 l/min

**\***

S = without decompression  
D = with decompression

**\***

Voltage  
F = 12V DC  
G = 24V DC

**\*\***

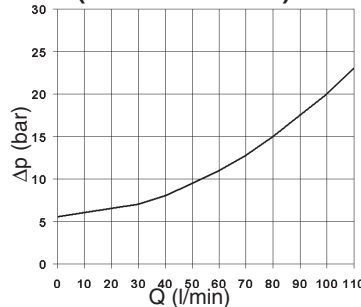
Variant (\*):  
S1 = No variant (without connectors)  
SV = Viton  
P2 = Rotary emergency

**1**

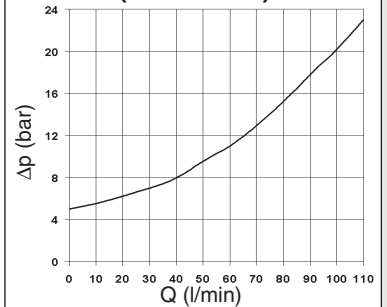
Serial No.

### DIAGRAMS

$\Delta P$  - FLOW RATE A  $\rightarrow$  B (WITH 5 l/min TO P)

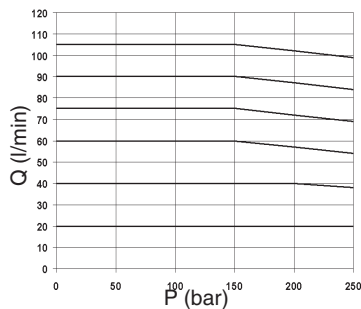


$\Delta P$  - SECONDARY LINE FLOW (A  $\rightarrow$  P FREE)



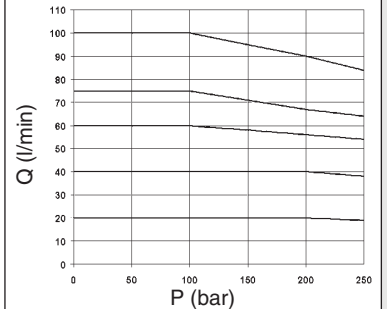
#### FLOW RATE

BACK PRESSURE ON PRIORITY LINE

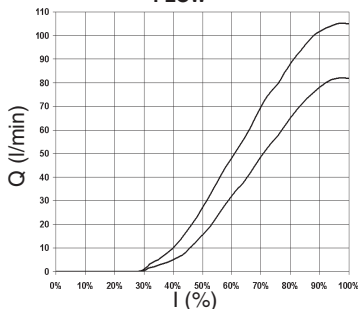


#### FLOW RATE

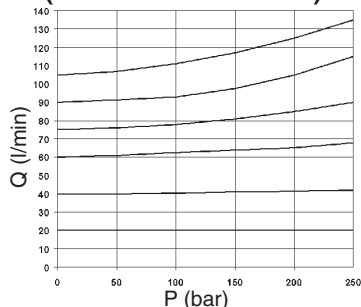
BACK PRESSURE ON SECONDARY LINE



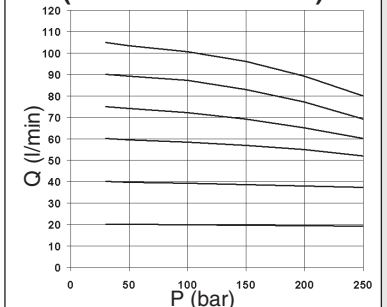
INPUT SIGNAL FLOW



2 WAY PRESSURE COMPENSATED (A 270 bar - B VARIABLE)



2 WAY PRESSURE COMPENSATED (A VARIABLE - B 30 bar)



(\* All variants are considered without connectors. The connectors must be order separately. See Ch. I Page 19

The fluid used is a mineral based oil with a viscosity of 46 mm<sup>2</sup>/s at 40°C. The tests have been carried out at with a fluid of a 40°C.

# XQP.5. OPEN LOOP 2/3 WAY PROPORTIONAL PRESSURE COMPENSATED FLOW REGULATORS CETOP 5



## OPERATING SPECIFICATIONS

Max. operating pressure ports A/B /P (*)	250 bar
Regulated flow rate	75 / 105 l/min
Decompression drain flow	max 0,7 l/min
Relative duty cycle	Continuous 100% ED
Type of protection (in relation to the connector used)	IP 65
Flow rate gain	See diagram "Input signal flow"
Fluid viscosity	10 ÷ 500 mm <sup>2</sup> /s
Fluid temperature	-20°C ÷ 75°C
Ambient temperature	-20°C ÷ 60°C
Max. contamination level	from class 7 to 9 in accordance with NAS 1638 with filter $\beta_{10} \geq 75$
Weight	4,97 Kg

Type of voltage	<b>12V</b>	<b>24V</b>
Max. current	2.5 A	1.25 A
Solenoid coil resistance at 20°C (68°F)	2.85 Ohm	11.4 Ohm

Hysteresis with $\Delta p$ 7 bar	<5%	<8%
Response to step $\Delta p = 7$ bar (P/A)		
0 ÷ 100%	~ 65 ms	-
100% ÷ 0	~ 30 ms	-
Frequency response -3db (Input signal 50% ± 25% Vmax.)	7Hz	-

## AMPLIFIER UNIT AND CONTROL

### REM.S.RA.\*.\*...

Electronic regulator for control single proportional solenoid valve

(\*) Pressure dynamic allowed for 2 millions of cycles. T ports closed on the subplate.

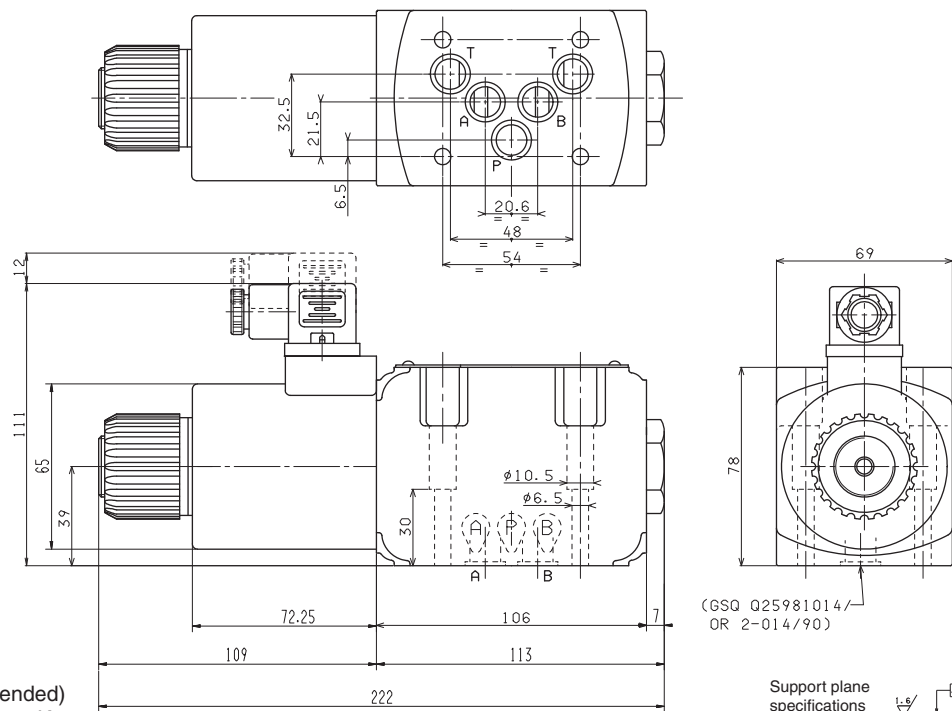
**Operating specifications are valid for fluids with 46 mm<sup>2</sup>/s viscosity at 40°C, using specified ARON electronic control units.**

**Performance data are carried out using the specified Aron power amplifier type REM.S.RA... power supplied at 24V.**

## OVERALL DIMENSIONS

E = Manual override

GSQ = Square section seal

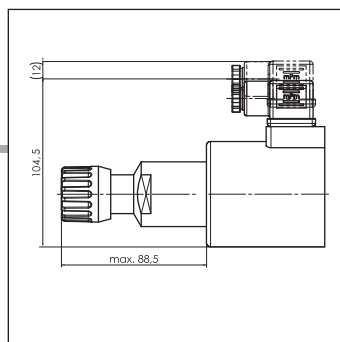


Fixing screws UNI 5931 M6x40  
(12.9 material screws are recommended)  
Tightening torque 8 ÷ 10 Nm / 0.8 ÷ 1 Kgm

(GSQ Q25981014/  
OR 2-014/90)

Support plane  
specifications

8



## "D19P" PROPORTIONAL SOLENOIDS



Type of protection (in relation to connector used)	IP 65
Ambient temperature	-54°C ÷ 60°C
Duty cycle	100% ED
Insulation class wire	H
Weight	1,58 Kg

ETD19P - 01/2002/e